



AquaCold Free Standing Water Cooler

SUGGESTED SPECIFICATIONS

Model A611108F is a self-contained, vandal resistant pressure water cooler that shall deliver a minimum of **8.0 GPH** (30.3 LPH) of water at 50°F (10°C) cooled from 80°F (26.7°C) inlet water and 90°F (32.2°C) ambient. Unit shall be activated by a self-closing push button which activates an internally mounted valve with an adjustable stream regulator controlling the water flow. Bubbler shall have a flexible guard with an integrally designed non-squirt feature and operate on water pressure range of 20-105 psig. Top shall be constructed from 304 stainless steel and have an integral drain. Cabinet shall be Granite powder coated on galvanized or stainless steel. Evaporator shall be insulated, tube on tank. Cooling system shall use R-134a refrigerant and be capillary tube controlled. An adjustable thermostat with an off position shall control the refrigeration system. Unit shall adhere to the requirements of ANSI/NSF 61, Section 9. Unit shall be listed by Underwriters Laboratories for both the US and Canada, compliant to the Air Conditioning and Refrigeration Institute Standard 1010.

Standard Model:
A611108F

Stainless Steel Model:
A611408F



Model A611108F Shown

STANDARD FEATURES

- Granite powder coated
- Flexible, anti-rotation non-squirt bubbler
- Copper tube on stainless steel tank evaporator
- 100 mesh inlet strainer
- Vandal resistant screws

Model Number	GPH of 50°F Water 90°F Ambient Room Temperature	Rated Watts	Full Load Amps	Approx. Shipping Weight
A611108F	8.0	400	4.8	70 lbs
A611408F	8.0	400	4.8	70 lbs

Based upon 80°F inlet water temperature

OPTIONAL ACCESSORIES (additional costs)

- "B"** Brass bubbler (Use model A611108B)
- EB4** Enclosed back
- FPO** Foot pedal
- GF1** Glass filler
- HGF** Hot water glass filler
- HP** High polished stainless steel (Use model A611408F-HP)
- "P"** Push button brass bubbler (Use model A611108P)
- WF1** 1500 gallon capacity, NSF 42+53, 1 micron lead reduction filter
- 220V** 220 volt / 50 Hz compressor (C €)
- "2"** Dark bronze powder coated finish (Use model A611208F)
- "3"** Gold finish (Use model A611308F)
- "4"** All stainless steel (Use model A611408F)

Custom color finishes available upon request

Acorn Aqua™ assumes no responsibility for use of void or suspended data.
© Copyright 2006 Acorn Aqua™, City of Industry, CA, A Division of Acorn Engineering Company.
Please visit www.acornaqua.com for most current specifications.

Submittal # C16 Rev. A4/1/06

COMPLIES WITH
STANDARDS



Test rating conditions are compliant with ARI 1010.



ACORN AQUA
P.O. Box 3527
City of Industry, CA
91744-0527 U.S.A.
Phone 800-591-9360
626-336-4561
Fax 626-855-4894
www.acornaqua.com

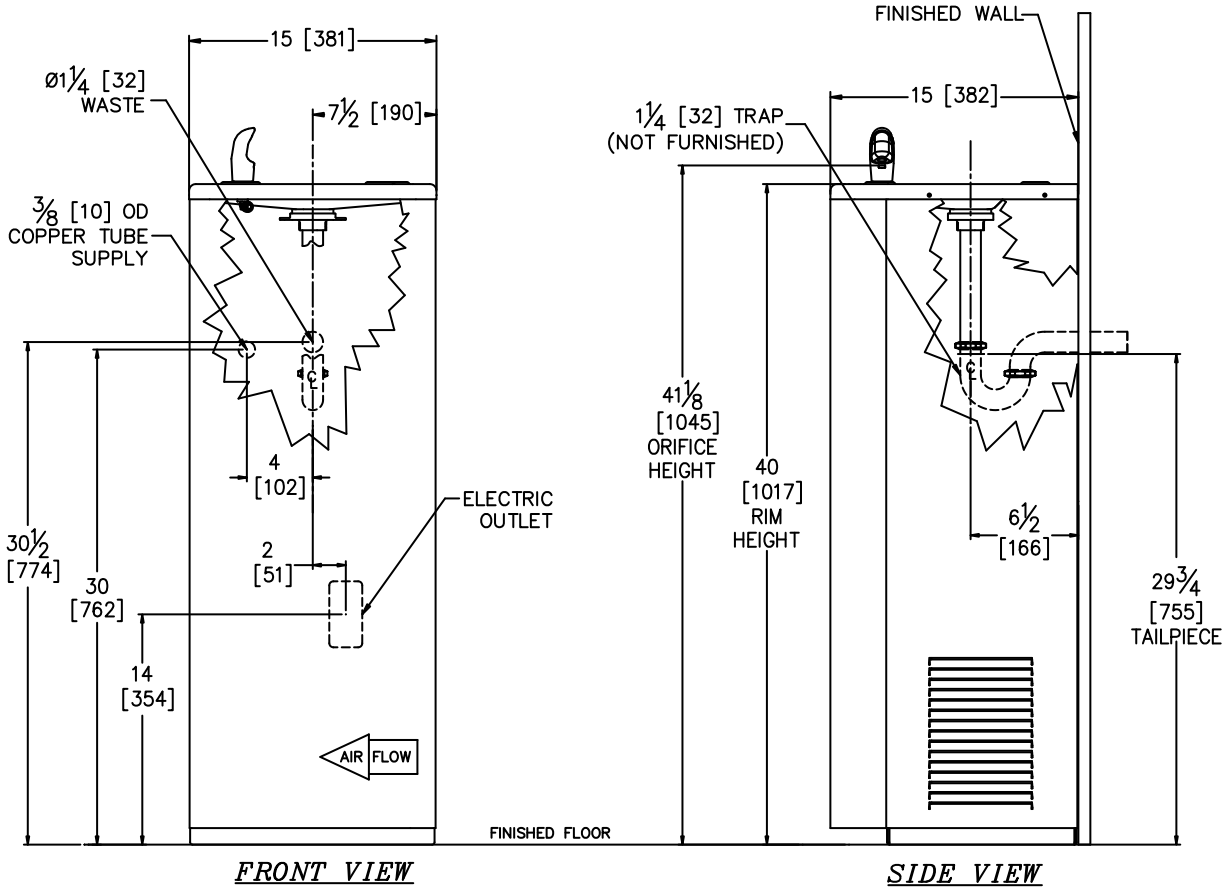


TECHNICAL DIMENSIONS

All dimensions are nominal and subject to manufacturer's change without notice. Acorn Aqua™ assumes no responsibility for use of void or suspended data. © 2005 Acorn Aqua™, a Division of Acorn Engineering Company. Please visit www.acornaqua.com for most current specifications.

Standard Model:
A611108F

Stainless Steel Model:
A611408F



GENERAL NOTES:

1. ALL DIMENSIONS ARE IN INCHES [MM]
2. ALLOW 4 INCHES [102 MM] MINIMUM CLEARANCE PER SIDE FOR VENTILATION
3. STOP VALVE, TRAP, & ELECTRICAL OUTLET NOT SUPPLIED.

Rough-in # C16 Upd. 8/1/05

Five Year Limited Warranty- (Continental United States and Canada Only) The sealed refrigeration system and most major components are warranted for five (5) years. Other parts are warranted for one (1) year from date of installation.
Limited Export Warranty- One (1) year on parts only.

SELECTION SUMMARY & APPROVAL FOR MANUFACTURING

Model Number & Options _____	Quantity _____
Company _____	Date _____
Contact _____	Title _____
Approval for Manufacturing/Signature _____	



Phone 800-591-9360
626-336-4561
www.acornaqua.com