



Halsey Taylor[®]
Satisfying Thirsts Since 1912

Endura II™ Outdoor Tubular Bottle Filling Station Single Arm Station

Model 4410BF



This fountain is certified to
NSF/ANSI 61-Annex G, AB1953

GENERAL

Pedestal, Endura II™ Steel Outdoor Single Arm Station Fountain with Bottle Filling Station with rounded corner design, textured powder-coat finish and E-Coat immersion for year-round beauty with minimum maintenance. The E-coat immersion process coats the inside and outside for the ultimate in corrosion protection.

BOTTLE FILLER

Provides a quick fill at 1 gallon per minute. Laminar flow provides a clean fill with minimal splash and easy maintenance.

PUSHBUTTON ACTUATION MECHANISM

Self-closing, vandal-resistant pushbutton does not require grasping or twisting.

INLET STRAINER

Easily cleaned in-line strainer screen traps particles of 140 microns or larger before they enter the waterway.

WATER INLET & DRAIN OUTLET

Inlet: 3/8" O.D. tubing

Outlet: 1-1/2" tube outlet for 1-1/2" slip joint connection

ACCESS PANELS

Heavy-gauge steel with vandal-resistant screws. Provides access for easy hook-up of all plumbing connections.

SUGGESTED SPECIFICATION

Unit shall include powder-coated finish with vandal-resistant pushbutton actuation. Bottle Filler shall include a laminar flow for minimal splash and provide 1 gallon per minute fill rate. Shall comply with ADA standards and be certified to lead-free compliance including NSF/ANSI 61- Annex G, AB1953.



Standard Finish is Evergreen Textured powder-coat Endura II™

Trap and service stop not included.

JOB NAME: _____

ENGINEER/CONTRACTOR NAME: _____

APPROVAL: _____

DATE: _____



halseytaylor.com

HALSEY TAYLOR, 2222 CAMDEN COURT, OAK BROOK, ILLINOIS 60523

Model 4410BF

Endura II™ Single Arm Station

Outdoor Tubular Bottle Filling Station

(CONTINUED)

MOUNTING INSTRUCTIONS and PLUMBING CONNECTIONS

Provide solid, well-drained surface to mount pedestal fountain (concrete pad recommended). (6) ½" anchor bolts (not included) should be attached firmly to mounting surface in order to secure unit. (Refer to rough-in diagram)

Locate and install plumbing through ground as required.
NOTE: Unit is not furnished with service valve.

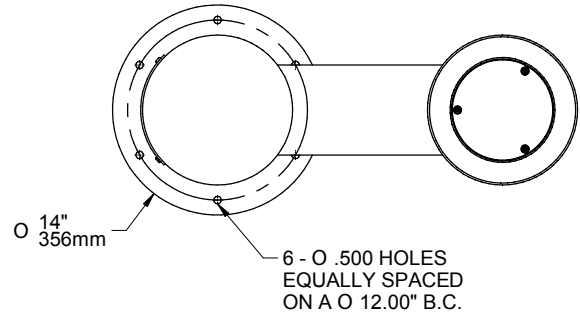
Position pedestal over plumbing and secure base to anchor bolts. Remove access panels and connect supply and water lines. Turn on water supply and check for leaks. Reassemble access panels to pedestal.

Trap and service stop not included.

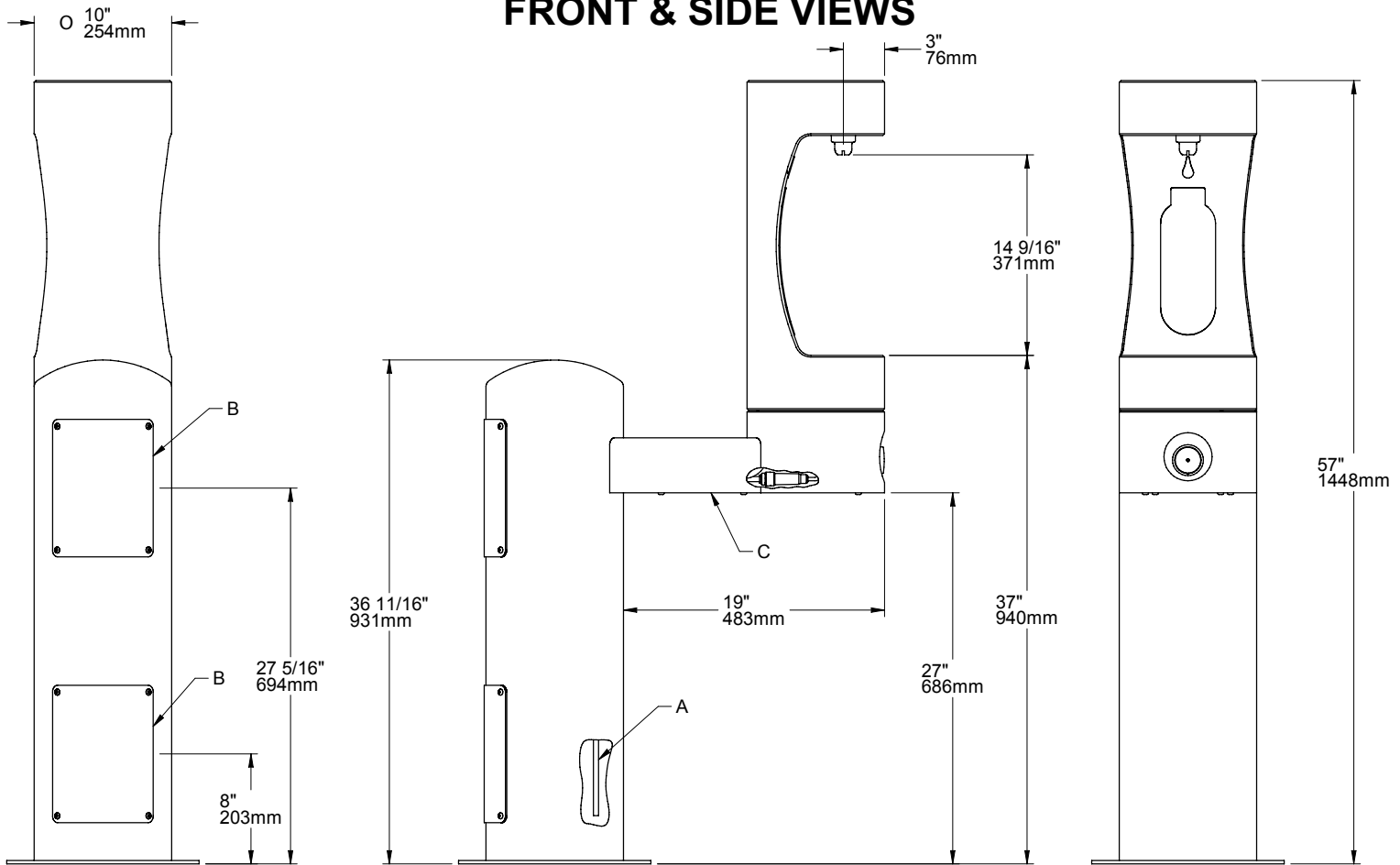
OPERATING PRESSURES:

Supply water – 105 psi maximum

TOP VIEW



FRONT & SIDE VIEWS



LEGEND:

- A = 3/8" O.D. UNPLATED COPPER TUBE CONNECT- SHUT OFF VALVE BY OTHERS
- B = ACCESS PANEL (8" x 10")
- C = REMOVABLE BOTTOM COVER

*ADA Requirement

Halsey Taylor®