



**Halsey Taylor**<sup>®</sup>  
Satisfying Thirsts Since 1912

# Endura II™ Outdoor Tubular Bottle Filling Station

## Model 4420BFDB



This fountain is certified to  
NSF/ANSI 61-Annex G, AB1953

### GENERAL

Pedestal, Endura II™ Steel Outdoor Dual Station Fountain with Bottle Filling Station and Pet Fountain. Rounded corner design with textured powder-coat finish and E-Coat immersion for year-round beauty with minimum maintenance. The E-coat immersion process coats the inside and outside for the ultimate in corrosion protection.

### BOTTLE FILLER

Provides a quick fill at 1 gallon per minute. Laminar flow provides a clean fill with minimal splash and easy maintenance.

### BUBBLER

Vandal-resistant bubbler is one-piece, chrome-plated. Unit has integral hood guard design to prevent contamination from other users, airborne deposits and tampering.

### BASIN

Contour-formed stainless steel design with rounded edges reduces splatter, ensures proper drainage and prevents standing water.

### PUSHBUTTON ACTUATION MECHANISM

Self-closing, vandal-resistant pushbutton does not require grasping or twisting.

### INLET STRAINER

Easily cleaned in-line strainer screen traps particles of 140 microns or larger before they enter the waterway.

### WATER INLET & DRAIN OUTLET

Inlet: 3/8" O.D. tubing

Outlet: 1-1/4" tube outlet for 1-1/4" slip joint connection

### ACCESS PANELS

Heavy-gauge steel with vandal-resistant screws. Provides access for easy hook-up of all plumbing connections.

### PET FOUNTAIN

Actuated by upper pushbutton. Slow drainage feature for easy drinking.

### SUGGESTED SPECIFICATION

Unit shall include powder-coated finish with vandal-resistant pushbutton actuation, vandal-resistant bubblers with integral hood guard, and contour-formed rounded basins to reduce splash and prevent standing water. Bottle Filler shall include a laminar flow for minimal splash and provide 1 gallon per minute fill rate. Shall comply with ADA standards and be certified to lead-free compliance including NSF/ANSI 61-Annex G, AB1953.

## Dual Station with Pet Fountain



Model 4420BF1UDB is shown. Image varies based on quantity and location of bottle fillers.

Standard Finish is Evergreen Textured powder-coat Endura II™  
Additional colors available.

Trap and service stop not included.

### OPTIONS

Available with single or dual bottle fillers.

JOB NAME: \_\_\_\_\_

\_\_\_\_\_

ENGINEER/CONTRACTOR NAME: \_\_\_\_\_

\_\_\_\_\_

APPROVAL: \_\_\_\_\_

DATE: \_\_\_\_\_



halseytaylor.com

HALSEY TAYLOR, 2222 CAMDEN COURT, OAK BROOK, ILLINOIS 60523

# Model 4420BFDB

## Endura II™ Dual Station Outdoor Tubular Bottle Filling Station with Pet Fountain

(CONTINUED)

### MOUNTING INSTRUCTIONS and PLUMBING CONNECTIONS

Provide solid, well-drained surface to mount pedestal fountain (concrete pad recommended). (10) 1/2" anchor bolts (not included) should be attached firmly to mounting surface in order to secure unit. (Refer to rough-in diagram)

Locate and install plumbing through ground as required. NOTE: Unit is not furnished with service valve.

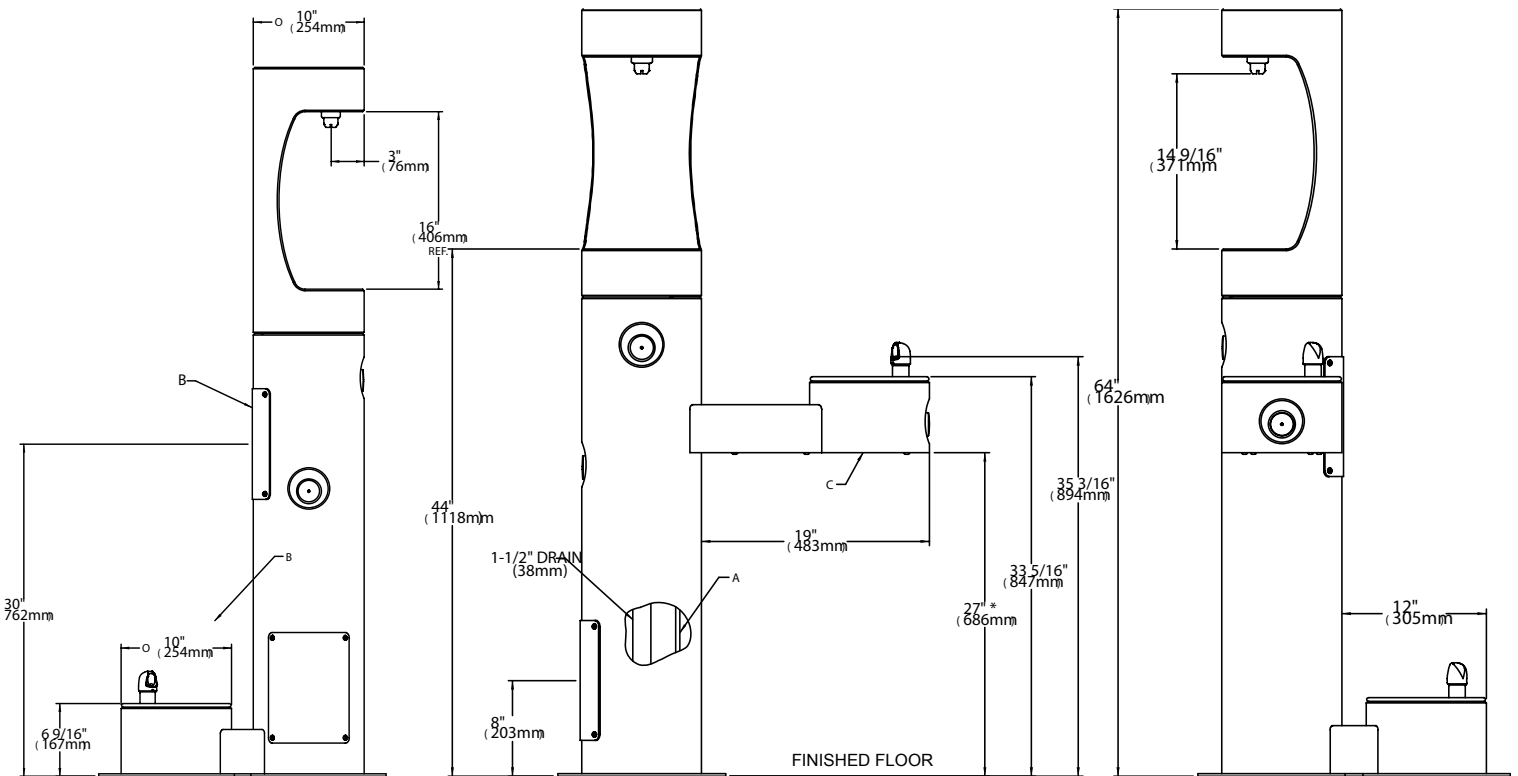
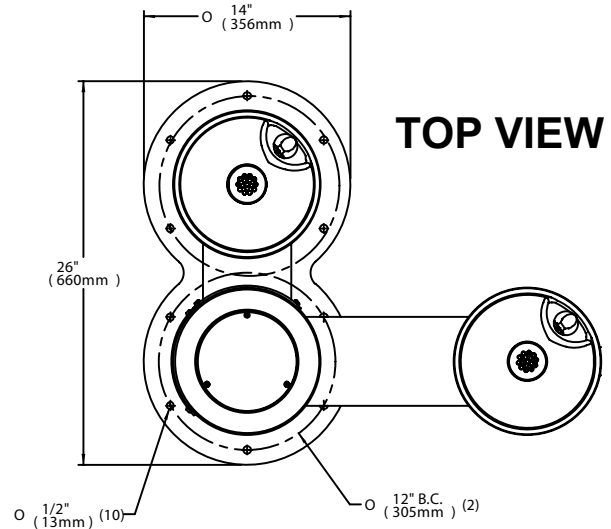
Position pedestal over plumbing and secure base to anchor bolts. Remove access panels and connect supply and water lines. Turn on water supply and check for leaks. Reassemble access panels to pedestal.

Trap and service stop not included.

### FRONT & SIDE VIEWS

(Model 4420BF1UDB is shown. Image varies based on quantity and location of bottle fillers.)

**OPERATING PRESSURES:**  
Supply water – 105 psi maximum



**LEGEND:**

- A = 3/8" O.D. UNPLATED COPPER TUBE CONNECT- SHUT OFF VALVE BY OTHERS
- B = ACCESS PANEL (8" x 10")
- C = REMOVABLE BOTTOM COVER

\*ADA Requirement

*Halsey Taylor*®