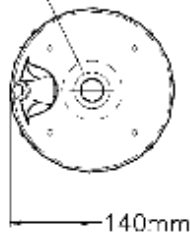


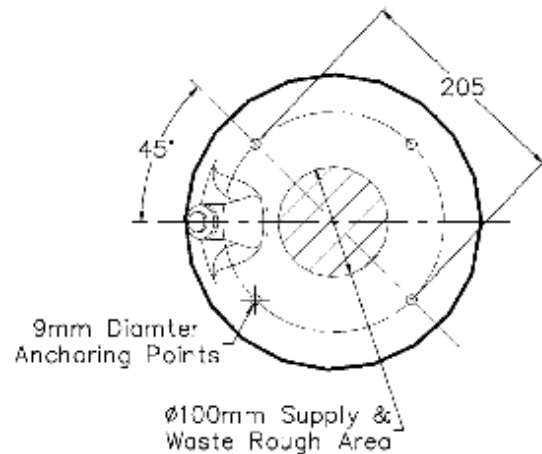
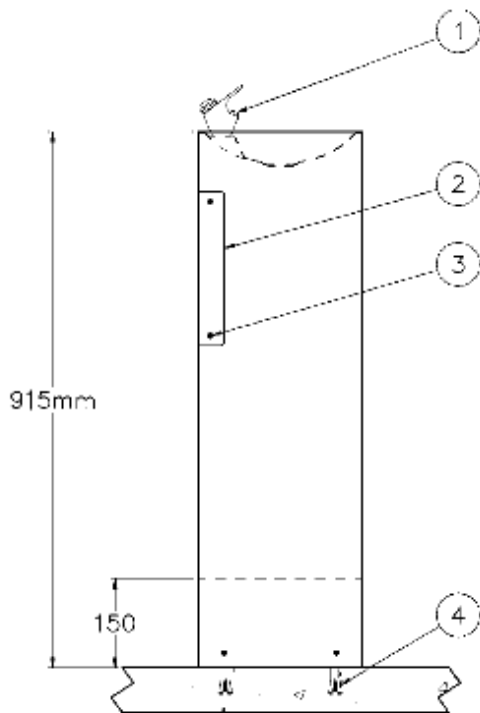
Apinox model 481 pedestal drinking fountain

Unit is floor mounted, free standing drinking fountain fabricated of 1.6mm thick type 304 stainless steel with exposed surfaces polished to a satin finish. Unit includes a stainless steel access panel secured with vandal resistant fasteners, floor mounting flange and bubbler. Waste assembly and floor anchors by others.

43mm Diameter Drain Punching for Strainer and Waste Piping by Others.



- ① Bubbler with 3/8" OD Tube Elbow Compression Connection
- ② Stainless Steel Access Panel
- ③ Vandal Resistant Fasteners
- ④ Floor Anchors (by Others) for 9mm Diameter Anchor Punchings



BASE DETAIL

	DRG: _____
	Date: _____
	Revision date: _____